

Reference: KRM572FTIS

EAN13: 8057730870634

**Product title:**

Classic 2-hole Round Metal Ceiling Canopy Kit

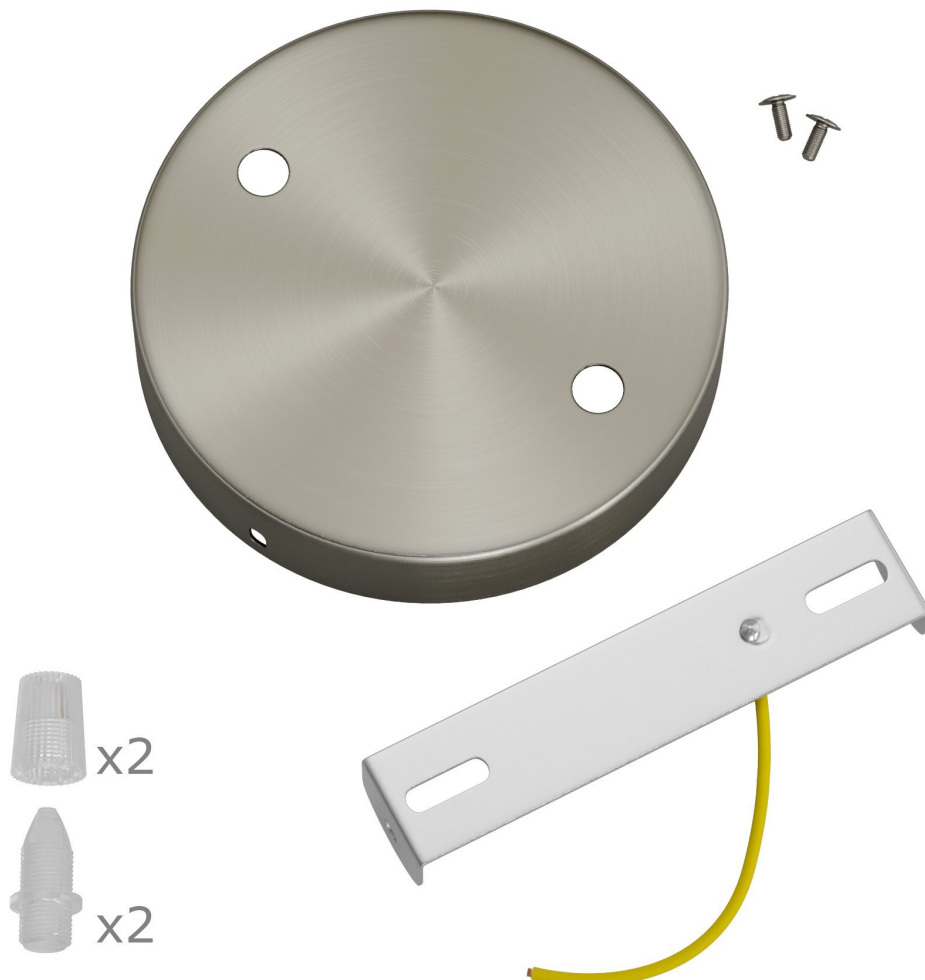
**Product attributes:**

Finish: Glossy white, Matt white, Black, Chrome, Copper, Brass, Black pearl, Brushed titanium, Brushed copper, Brushed bronze

Cable clamp: Conical, Cylindrical

Smart Home: No, Matter ON/OFF

**Product image:**



**Product price:**

\$7.00 tax included

**Product short description:**

Our classic ceiling canopies. These 2-hole canopies are beautiful and easy to use while providing a sleek and stylish look. They can be used to make your own pendant lights, double light wall sconces, or to replace an existing two pendant light ceiling canopy.

Just choose the color and style of the 2-hole ceiling canopy that you want and then select the type of cable strain relief that you'd like to include with your canopy. The basic cable strain relief is a plastic Conical tapered design. For a more refined look go with the Cylindrical cable strain relief option. All of the cylindrical cable strain reliefs are metal, except for the one that matches the gloss white canopy, which is plastic. (To better match the color of the gloss white.)

These 2-hole ceiling canopies are 4.7 inches in diameter. Large enough to cover a standard junction box. They have a height of 1 inch, which allows plenty of room for wiring if you choose to mount these to a wall or ceiling without using a j-box. The two holes each have a diameter of 3/8 inch.

All of our ceiling canopies are designed to work with our round and twisted pendant light cloth covered wire color cord. So mix and match your favorite color cable with the ceiling canopy of your choice. Or you can make your own wall sconce by matching a canopy with your choice of light bulb socket, extension tube, and/or elbow pipe! So pull out that inner lighting designer and get creative with our lamp parts.

What's in the box? This 2-hole ceiling canopy comes with: the canopy; a crossbar for attaching the ceiling canopy to the junction box, wall or ceiling; two screws for attaching to a wall; two screws for attaching the mounting plate to the sides of the ceiling canopy; and your choice of style strain relief. (If you choose the cylindrical strain relief option it will include the cable strain relief, a metal tube for connecting to the strain relief, a lock washer and a nut.)

**Product description:**

Technical specifications 2-hole Classic Round Metal Ceiling Canopy Kit:

Canopy diameter: 4.7 inches (120 mm)

Hole diameter: 3/8 of an inch (10 mm)

Material: metal

Technical specifications for the Cylindrical cable strain relief clamp:

Colored Cap size:

- diameter: 1/2 inch (13 mm)
- height: 2/3 inch (17 mm)

Cap Material:

- Gloss White Canopy uses a matching Plastic Cylindrical cable strain relief.
- All other ceiling canopy colors use a matching Metal Cylindrical cable strain relief.

The Cylindrical cable strain relief is attached to a threaded tube with the following specs:

- diameter: 3/8 inch (10mm)
- height: .59 inches (15 mm).
- material: metal

Technical specifications for the Plastic Conical cable strain relief clamp: - diameter: .58 inches (14.8 mm)

- height: 1.70 inches (43mm)
- material: thermoplastic.

You can also purchase this ceiling rose in the Matter-integrated version, for lighting control with your voice or the apps you already use regularly. Turn the lights on and off, create automations, and make your lights interact with other smart home devices easily and without the need for installation.

NOTE: If a wall switch is connected directly after the line cable, turning off the lamp will also cut off power to the Matter switch. Consequently, it will no longer be able to receive commands via voice or app. However, once the light is turned back on from the wall switch, the Matter switch will be powered again and resume normal operation.

**Product features:**

Material: Metal

**Product gallery:**



