

Reference: KRSPROSA  
EAN13: 8050997765170

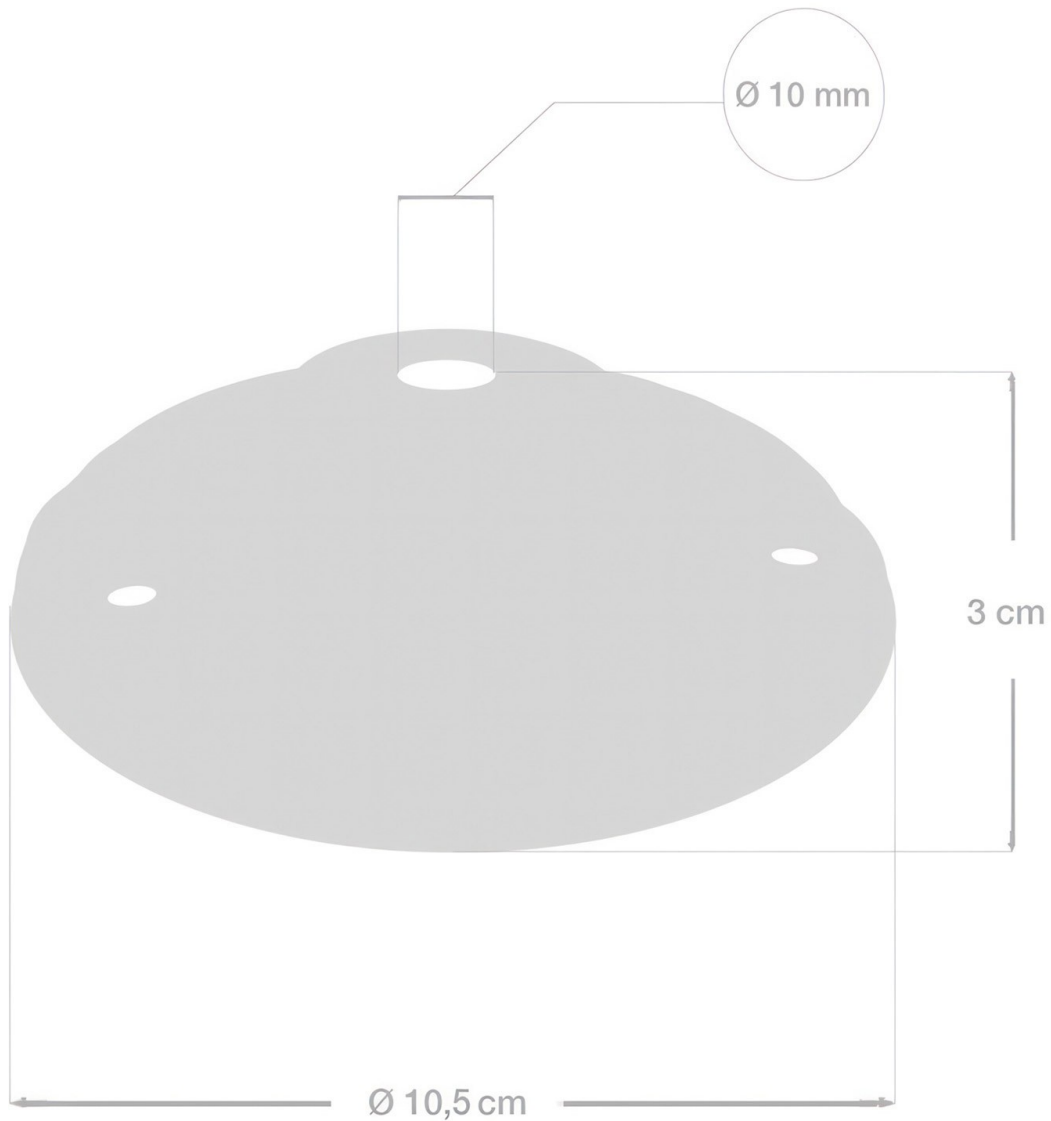
**Product title:**

Porcelain ceiling canopy kit

**Product attributes:**

Finish: White, Black, Red, Green, Yellow, Light blue, Grey, Ancient pink, Sage green

**Product image:**



**Product price:**

\$12.50 tax included

**Product short description:**

The timeless elegance of a porcelain ceiling canopy. But note that while this is a beautiful ceiling canopy, it is **NOT COMPATIBLE** with, nor will it cover, standard junction boxes and must instead be screwed directly into walls or ceilings with wood screws.

This canopy can be used both on the ceiling to create a beautiful simple pendant light or on the wall as a sconce if combined with our porcelain light bulb sockets and other lamp parts. Use it for a retro vintage look or just to add a bit of elegance to any environment. We think it looks wonderful paired with our natural and warm toned cotton, linen or jute cables.

Our Ceiling and Wall Porcelain Canopy is 4.13 inches in diameter. It comes with all the necessary screws and anchors needed for installation in your wall or ceiling. Also comes with our cable tensioner that you can use to adjust lengths when used with our fabric covered wire cables.

This product **DOES NOT INCLUDE** any of our fabric covered wire cables. Cables are sold separately and should be ordered in whatever length works best for your room or project.

Again, please note that this product is meant to be screwed directly into your wall or ceiling and is **NOT COMPATIBLE with a standard 4" octagonal junction box!** Also, please be careful when screwing this into the wall. If you over tighten the screws the porcelain will break.

**Product description:**

Technical specifications:

Diameter: 4.13 inches (105 mm)

hole diameter: 3/8 inch (10mm)

Wall mounting kit includes 3 screws, 3 anchors and 1 cable tensioner

**Product features:**

Material: Porcelain

**Product gallery:**

