

Reference: PAM05VN
EAN13: 8057730493154

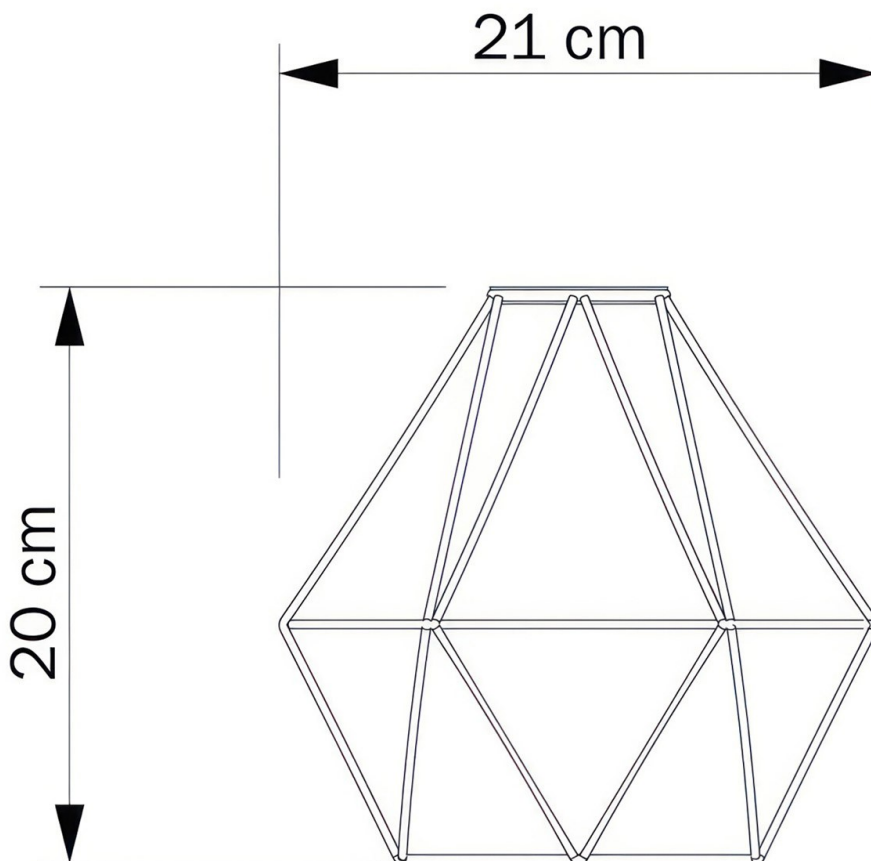
Product title:

Diamond Cage Metal Pendant Shade | Sleek Industrial Look

Product attributes:

Finish: White, Black, Copper, Brass, Red, Turquoise

Product image:



Product price:

\$30.30 tax included

Product short description:

A modern classic, and one of our most versatile pendant lamp shades. The beauty of the Diamond lampshade is that you can use it to create anything from a fun hanging pendant light to a table lamp when paired with one of our plug-in pendant lights. Or you can even use as a shade for a wall sconce. The diamond cage never goes out of style. The **contemporary and simple lines** of this **bare wire lamp shade**, make it perfect to use in many environments and interior design styles.

Use this lamp shade to create a lighting solution that is **perfect for living rooms and kitchens** or to illuminate your **your bar** or **restaurant**. The beauty of these light shades is that they protect the bulb while still allowing the light to fully shine through. And you can choose from multiple colors and finish options. Just be sure to match with a complimentary color among any of our fabric covered electric cables.

Note that these lamp shades are made to work with E26 double ferrule or UNO style light bulb sockets. You can just remove the light bulb from your socket, slide on the light shade and then screw the bulb back on.

And don't forget the light bulb! The straight lines on the Diamond lamp shade makes it match great with our G40 or ST21 Edison style light bulbs.

Attention! Bulb and socket NOT included.

Product description:

Diamond Metal Cage Pendant Light Shade - Specifications:

Material: painted metal.

Fitting: Works with Double Ferrule E26 or UNO shades

Width: 8.3"

Height: 7.9"

Hole opening: 1.57".

Not suitable for light bulbs with a diameter over 4.92"

Product features:

Material: Metal

Fitting: E26

Product gallery:

